

---

*Comfort-Cire*®

**Century**®

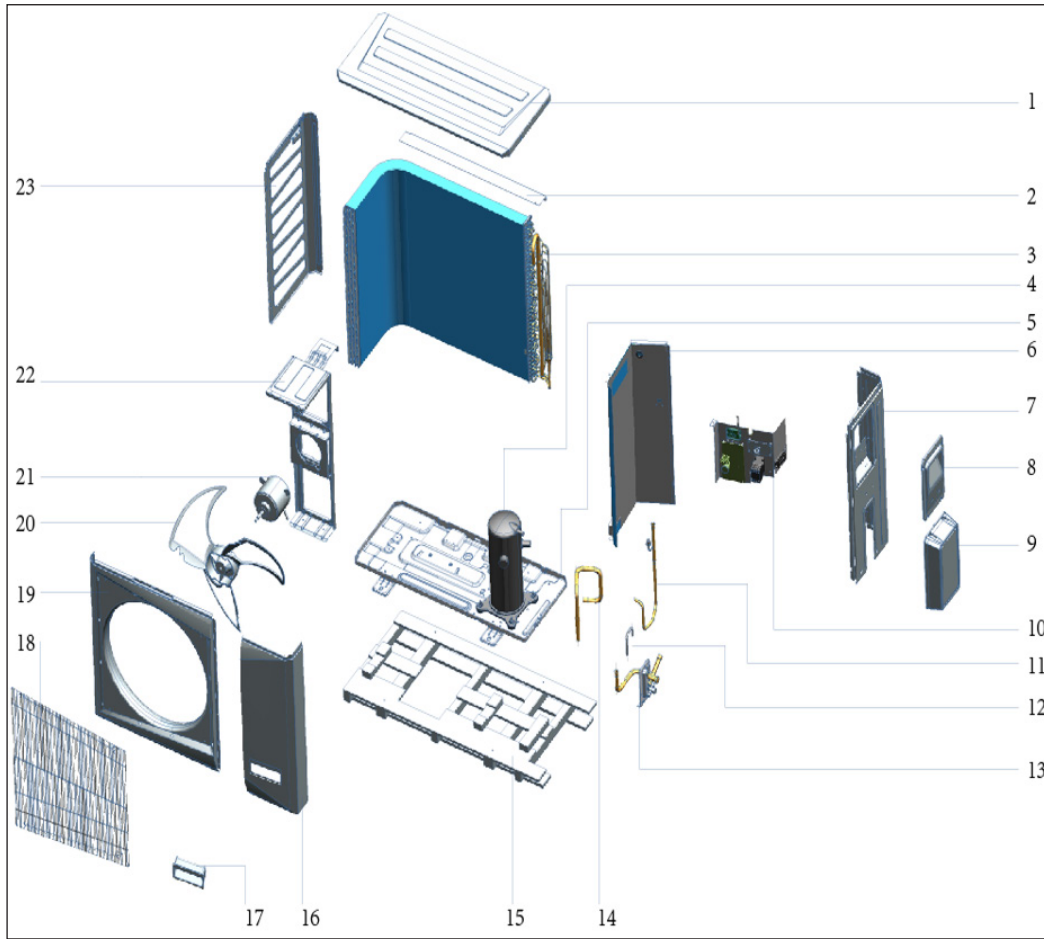
---

PARTS LIST

**Horizontal/Side Discharge  
Condensing Units**

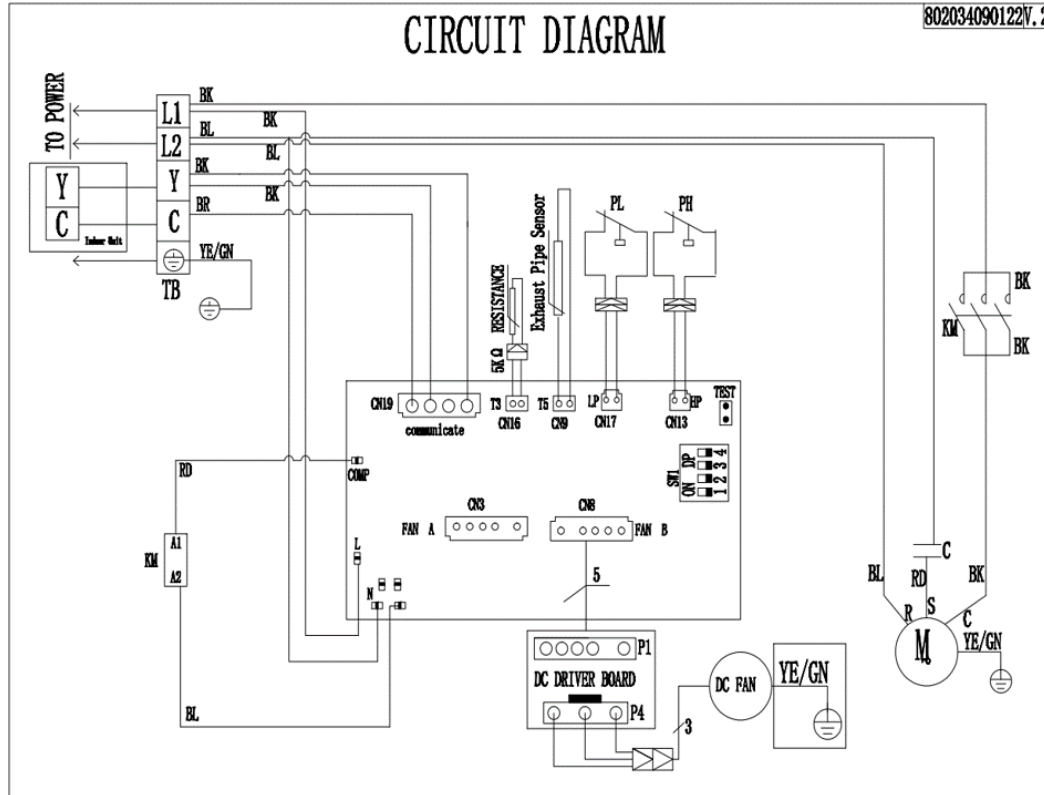
CMA-1448SG

# EXPLODED VIEW



# CIRCUIT DIAGRAM

802034090122V.2



## REPLACEMENT PARTS

Location	Part Name	Quantity	Part No.
1	Top cover parts	1	801242001690
2	Rear panel	1	801242001683
3	Condenser parts		801534090025
3.1	Condenser assy	1	801534090026
3.2	Condenser input pipe assembly	1	801634090202
3.3	Condenser splitter assembly	1	801642002233
3.4	Condenser subcooling outlet pipe	1	801642002274
3.5	Straight Pipe	1	801602100023
3.6	Rear net (Plastic)	1	801134090003
4	Compressor	1	801400100030
5	Chassis parts	1	801234090069
6	Separating board	1	801234090070
7	Right rear side panel part	1	801234490086
8	Handle (Large size)	1	801234090074
9	Cover of cut-off valve	1	801142000103
10	Electric control box components	1	803330000008
10.1	Electrical control box structural components	1	801234090071
10.2	Main control board assy	1	801319900010
10.3	AC contactor	1	802300100251
10.4	Fan motor drive board assy	1	802301700524
10.5	Compressor capacitor	1	802401000046
10.6	Terminal	1	802401800117
11	Discharge pipe assy	1	801634090203
11.1	Discharge pipe of compressor	1	801634090204
11.2	Flute tube	1	801634090205
11.3	Pressure Switch	1	802300900041
11.4	Probe Copper Tube	1	801602600198
12	U-tube	1	801634090209
13.1	Cut-off valve mounting plate	1	801242001681
13.2	Cut-off valve	1	801600200022
13.3	Cut-off valve	1	801600200014
14	Connecting pipe assembly	1	801634090206
14.1	Low pressure valve connecting pipe	1	801634090207
15	Packing wooden support	1	802634090002
16	Right front side panel	1	801242001688
17	Handle (Small size)	1	801132890002
18	Net cover of air outlet(Mental)	1	802934090001
19	Front panel	1	801242001684
20	Axial-flow fan blade	1	801100300034
21	Brushless DC motor	1	802400300087
22.1	Holder of fan motor	1	801242001418
22.2	DC motor mounting plate assembly	1	801242001419
23	Left side panel	1	801242001682
24	T5 discharge temperature sensor	1	802339290006

---

Due to ongoing product improvements, specifications and dimensions are subject to change and correction without notice or incurring obligations. Determining the application and suitability for use of any product is the responsibility of the installer. Additionally, the installer is responsible for verifying dimensional data on the actual product prior to beginning any installation preparations.

Incentive and rebate programs have precise requirements as to product performance and certification. All products meet applicable regulations in effect on date of manufacture; however, certifications are not necessarily granted for the life of a product. Therefore, it is the responsibility of the applicant to determine whether a specific model qualifies for these incentive/rebate programs.

*Comfort-Aire*® **Century**®

1900 Wellworth Ave., Jackson, MI 49203 • Ph. 517-787-2100 • [www.marsdelivers.com](http://www.marsdelivers.com)

